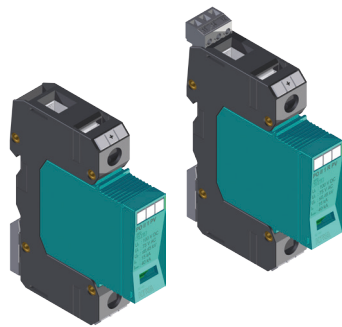
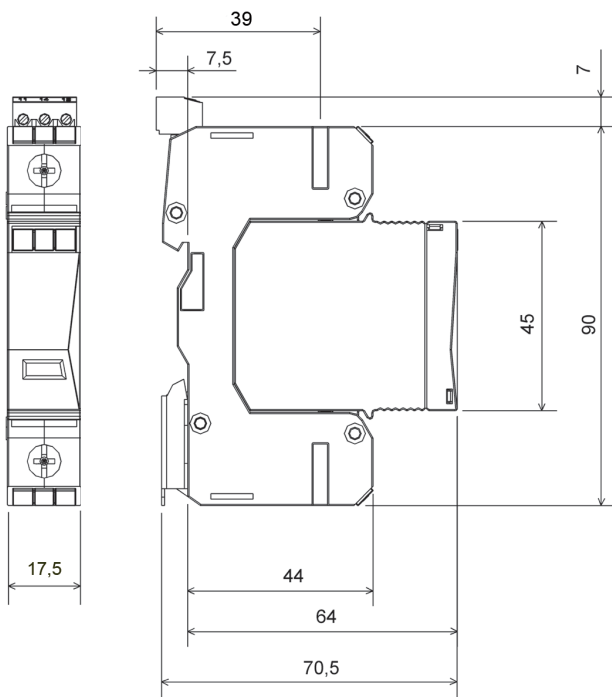


PO II 1 PV 100V DC

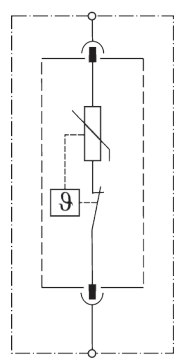
- For protection of DC circuit with operating voltage up to 100 V
- For protection of AC circuit with operating voltage up to 75 V
- Plug-in protectives modules
- Varistor modules for protection against overvoltage
- Optical signalization of operation state
- Remote signalization of operation state (R version)
- Protective modules rotatable with respect to the base through 180°



DIMENSIONS

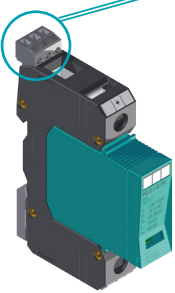


CONNECTION DIAGRAM



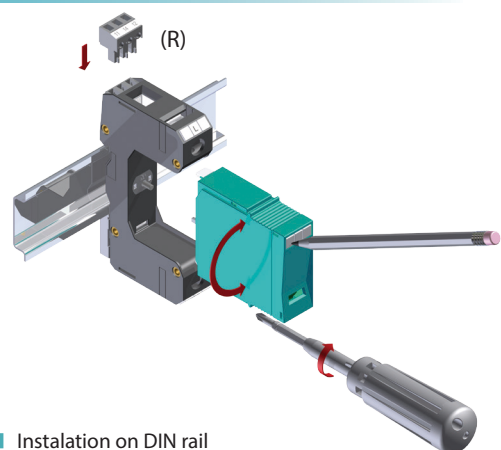
R VERSION

Optional version with remote signalling (R)



PO II 1(R) PV 100V DC

INSTALLATION



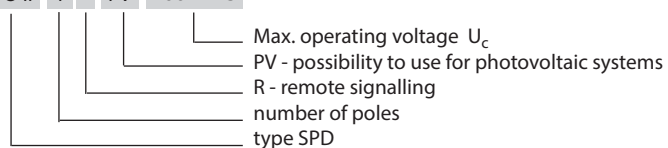
- Instalation on DIN rail
- Cable labeling system using Dekafix replaceable strips
- Plug-in varistor can be turned through 180°

TECHNICAL PARAMETERS

KIWA	TYPE	PO II 1 PV 100VDC
Number of poles		1
Max. operating voltage	U_c	75 V AC
Max. operating voltage	U_c	100 V DC
Max. discharge current (8/20)	I_{max}	40 kA
Nominal discharge current (8/20)	I_n	10 kA
Voltage protection level	U_p	$\leq 0,4$ kV
Voltage protection level at $I_n = 20$ kA	U_p	$\leq 0,5$ kV
Response time	t_A	< 25 ns
Open circuit voltage	U_{oc}	6 kV
Prospective short-circuit current of a power supply	I_p	25 kA _{ef}
Overcurrent protection gL/gG		≤ 125 A
Signalling changeover contact		M3/0.25 Nm, □ max. 1,5 mm ² , max. 250 V AC/1 A
Status indication of TDD (Thermic Disconnecting Device)		green (OK)/red (OUT)
Min. ... max. tightening torque		2 .. 3 Nm
Connecting conductor cross section:	- wire	4 ... 35 mm ²
	- cord	4 ... 25 mm ²
Operating temperature range		- 40 ... +70 °C
Degree of protection		IP 20
Colour	- plug-in varistor	turquoise blue, RAL 5018
	- holder	black; RAL 9011
Dimensions		97 x 64 x 17,5 mm
Mounting on profiled DIN rail		35 x 7,5 mm
Products comply with norms	EN 61643-1 IEC 61643-1 VDE 0675-06	type 2 T2 + type 3 T3 Class II + Class III Klasse C + Klasse D

PRODUCT SPECIFICATION

PO II 1 PV 100V DC



TYPE	Order number
PO II 1 PV 100VDC	82.143
PO II 1 R PV 100VDC	82.144
PO II 0 PV 100VDC	82.145